



Esfera Kitchen And Bathroom Pte. Ltd.

1 Genting Link #07-06 S349518

Tel :+65 8939 9315



Esfera



Esfera_1



Esfera618



新加坡马桶小哥



PRODUCT 2026



目录 Contents

Contents

01 Kitchen Sink Series	01 - 08
02 Kitchen Tapware Collection	09 - 10
03 Bathroom Tapware Collection	11 - 14
04 Ezyflik Toilet Series	15 - 20
05 Mix & Match Mirror Cabinet	21 - 22
06 PVC Basement / Drawer Cabinet	23 - 24
07 PVC Bathroom Collection	25 - 27
08 Art Basin Series	28 - 29
09 Inserted Basin Series	30 - 31
10 Sintered Stone Table Top	32 - 33
11 Sintered Stone Fashion Series	34 - 35
12 ESFERA Accessories	36 - 37

Kitchen Sink Series

The ESFERA Kitchen Sink Series is designed for modern homes that value durability, practicality, and a clean contemporary aesthetic. Crafted from premium SUS304 stainless steel, each sink delivers long-lasting performance with enhanced resistance to corrosion, rust, and daily wear.

SUS 304

Kitchen Sink Series



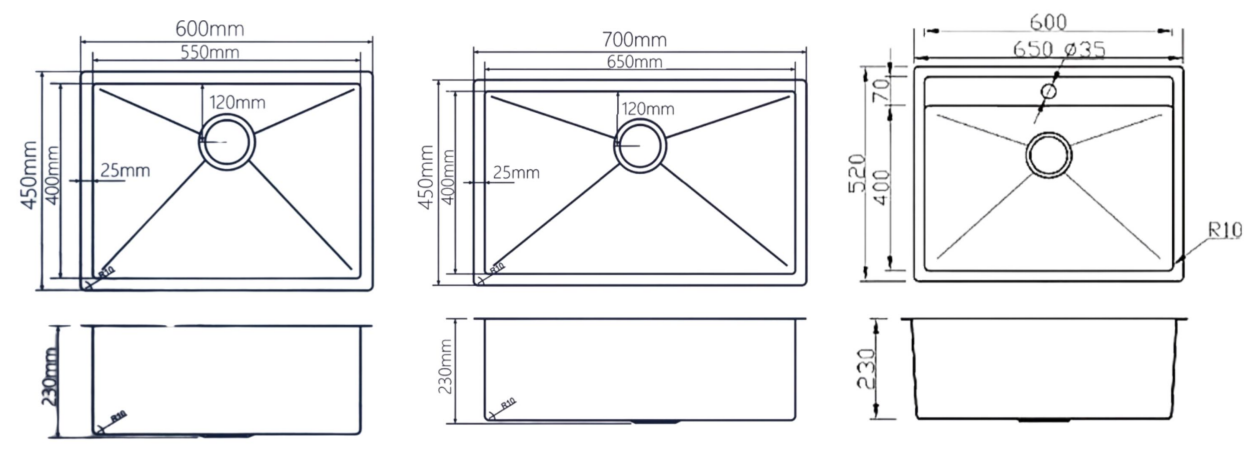
METEOR NANO SINK

MODEL
EKS6045NSS-M EKS6045NGM-M
EKS7045NSS-M EKS7045NGM-M



EMBOSSSED NANO SINK

MODEL
EKS6552NSS EKS6552NGM



SET 1:
Silencing pad



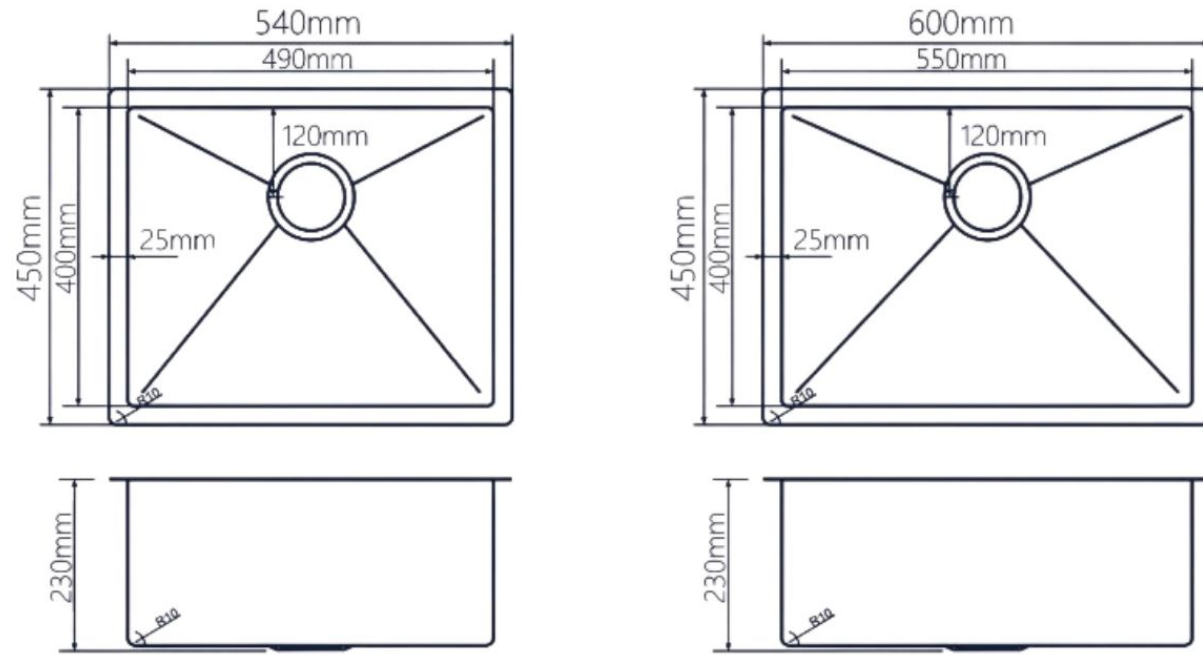
SET 2:
EVA Wrapped Around The Bottom Of The Sink
Condensation Resistant Effect
Noise Reduction Effect



SET 3:
Rollup Rack Drainer
Accessories

Dimension

MODEL

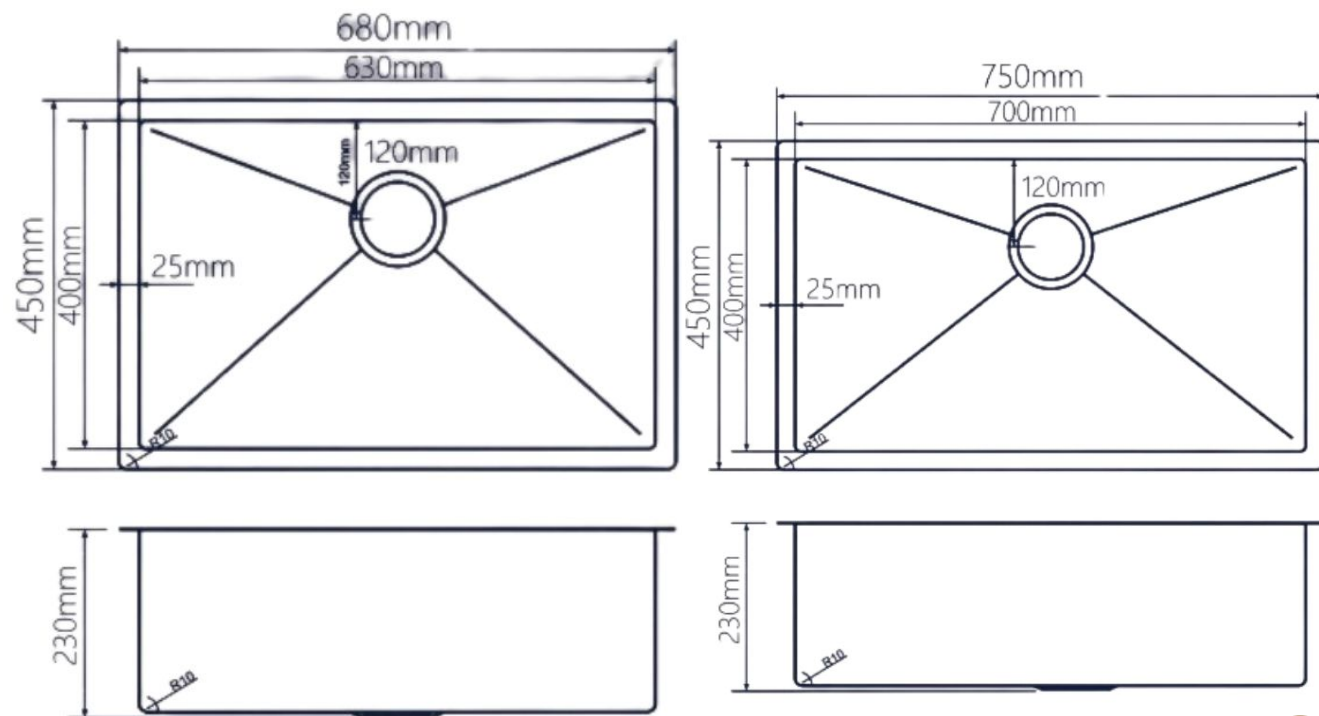


ESFERA Kitchen Sink Series



Comfort Simplicity
Everyday Quality

MODEL



EMBOSSED NANO SINK

Model

- EKS5445NSS
- EKS6045NSS
- EKS6845NSS
- EKS7545NSS



EMBOSSED NANO SINK

Model

- EKS5445NGM
- EKS6045NGM
- EKS6845NGM
- EKS7545NGM

Functional Overview



Spacious Below Sink

Deep, practical undermount design thanks to advanced manufacturing technology, the ESFERA features a generously deep sink bowl, providing ample space for washing large pots, pans, and daily items with ease.



Removable Waste Basket

Convenient, hygienic water draining each model comes with a removable **WASTE FITTING**, allowing you to empty the sink without putting your hands into dirty water – clean, efficient, and user-friendly.

ESFERA Kitchen Sink Series



Nano-Embossed Stainless Finish

Durable nano-embossed stainless steel surface that resists scratches, fingerprints, and water stains. The fine texture keeps the sink looking clean and fresh with minimal effort.



Easy Installation Design

Built with a simplified installation structure for quicker, hassle-free setup. Compatible with different kitchen layouts, offering more flexibility during renovation.



Undermount Installation

Seamless modern integration designed for undermount installation, the sink blends smoothly with the countertop. This sleek appearance enhances your kitchen's aesthetics and makes cleaning around the edges easier.



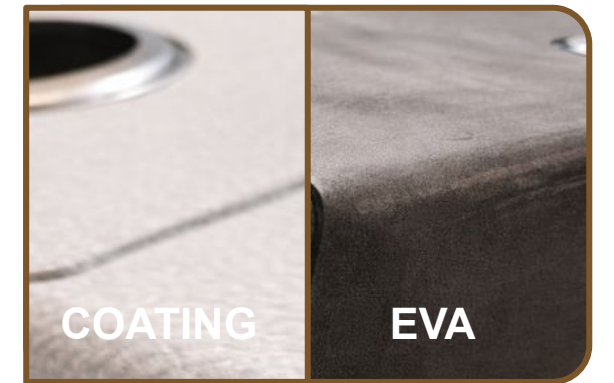
Flush-Mount Option

Perfectly aligned with the countertop. The sink can be installed with a 1.5-3mm recess, ensuring a flush, level surface with the worktop. Alternatively, it can also be mounted on top, depending on design preference.



Noise-Reduction Undercoating

Equipped with a sound-dampening undercoat that reduces noise from washing, rinsing, and placing cookware. Creates a quieter, more comfortable kitchen experience.



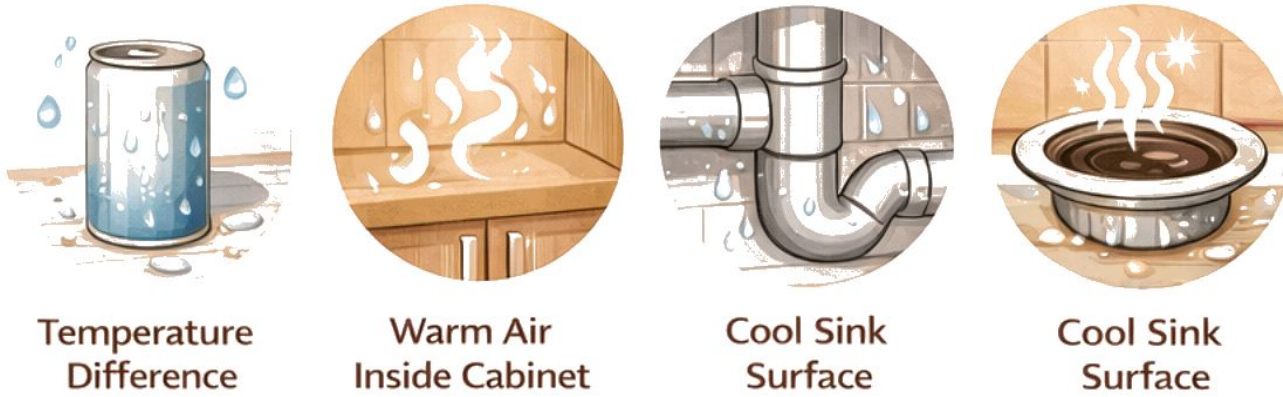
Condensation-Resistant Coating

Advanced condensation-resistant coating helps reduce moisture buildup, minimizing water droplets and fogging. It keeps the surface dry and clean, even in humid environments. Ideal for kitchens and bathrooms, ensuring a long-lasting, hygienic finish.

Top Complaint of Kitchen Sinks

Understanding the Issue

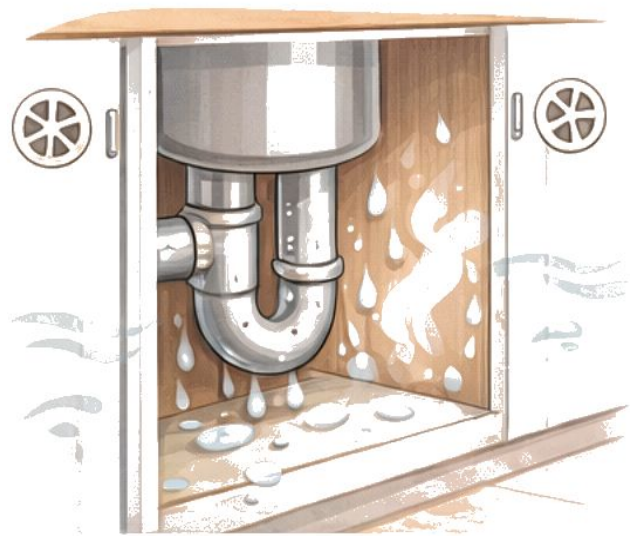
Moisture found beneath the sink is often mistaken for leakage. In most cases, it's condensation. Here's why:



When warm air inside the cabinet meets the cooler sink surface, condensation forms.

Prevention & Solutions

Condensation isn't linked to sink quality, but the temperature inside the cabinet.



When warm air inside the cabinet meets the cooler sink surface, condensation forms.

TIP: Avoid defrosting frozen food in the sink to prevent sudden temp.

- 
Improve Ventilation
 Install ventilation rings to promote airflow.
- 
Increase Insulation
 Insulate the sink with foam or spray coating.
- 
Reduce Humidity
 Use moisture absorbers inside the cabinet.
- 
Dry the Area
 Wipe away condensation after running hot water.

Proper ventilation prevents condensation and protects your kitchen sink cabinet.

Example of Condensation



Sink Condensation



Daily Condensation



Ventilation Rings

KITCHEN PULLOUT MIXER TAP (BRASS)

Built with a solid brass body, this pullout mixer tap combines flexibility and strength for everyday kitchen tasks. The pull-out spray function allows easy rinsing and cleaning, while smooth hot and cold control ensures efficient water use.



KITCHEN PULLOUT COLD TAP

A functional and versatile kitchen tap designed for everyday use. The pullout feature enhances reach and convenience, making cleaning and food preparation more efficient and comfortable.





BASIN MIXER TAP

Featuring a sleek silhouette and smooth single-lever control, this basin mixer tap provides effortless temperature adjustment and reliable daily performance.



EMBT-3001BN

CLASSIC



EMBT-3001GM

PREMIUM

Suitable for a wide range of basin styles, it blends practicality with modern design.



EMBT-3002BN

CLASSIC



EMBT-3002GM

PREMIUM

BASIN COLD TAP (BRASS)

Crafted with a solid brass body, this basin mixer tap delivers smooth water control with enhanced durability. Its refined design and reliable performance make it ideal for modern bathrooms seeking a balance of elegance and long-term use.



ECBT-8001C

MINIMALIST



ECBT-8001BN

CLASSIC



ECBT-8001MB

ELEGANT



ECBT-8001GM

PREMIUM



ECBT-8001MG

LUXURY



ECBT-8001MR

DESIGNER



ECBT-8002C

MINIMALIST



ECBT-8002BN

CLASSIC



ECBT-8002MB

ELEGANT



ECBT-8002GM

PREMIUM



ECBT-8002MG

LUXURY



ECBT-8002MR

DESIGNER



TAPWARE COLLECTIONS

BIDET

Designed for everyday hygiene and comfort, this bidet delivers smooth water flow with precise control. Its compact form fits seamlessly into modern bathrooms while ensuring durability and easy maintenance.



ANKLE VALVE

A practical and reliable solution for water control, the ankle valve is engineered for smooth operation and long-term use. Ideal for residential and commercial bathrooms where functionality matters.



ANKLE VALVE (BRASS)



Crafted with a solid brass body, this ankle valve offers superior durability and corrosion resistance. Designed for consistent performance, it is a premium choice for long-lasting bathroom installations.



EZYFLIK Toilet

EZYFLIK

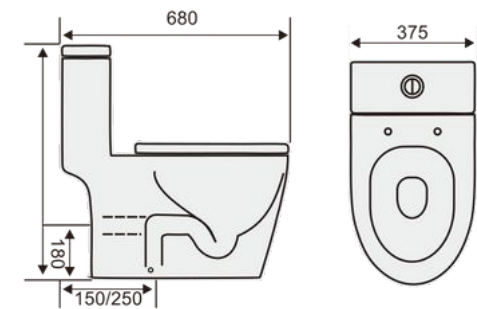
With powerful flushing technology, advanced antibacterial features, and ergonomically designed seat heights, we deliver a more comfortable, safer, and more refreshing bathroom experience for every home.



Model: WC-1010

Turbo Tornado One- Piece Toilet
 Rimless Design: 680mm x 370mm x 745mm
 S-Trap: 150mm/250mm Roughing-in
 P-Trap: 180mm Roughing - in

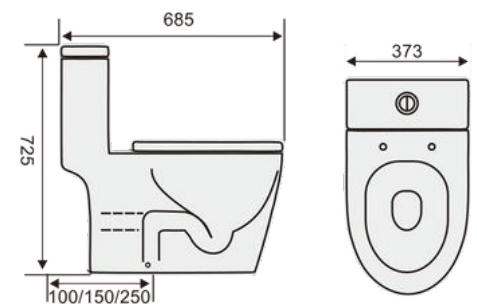
Rimless Design



Model: WC-1026

Turbo Tornado One- Piece Toilet
 Rimless Design : 685mm x 373mm x 725mm
 S-Trap: 100mm/150mm/250mm Roughing-in

Rimless Design



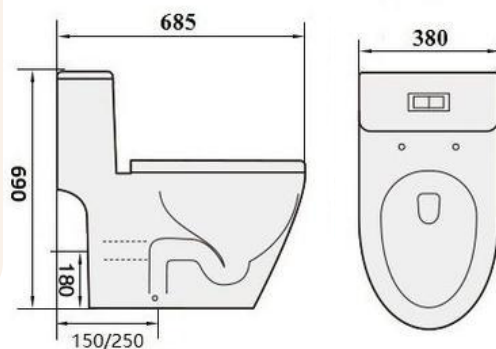
EZYFLIK Toilet



Model: WC-1018

Turbo Tornado One- Piece Toilet
 Size: 685mm x 380mm x 690mm
 S-Trap: 150mm/250mm
 Roughing-in
 P-Trap:180mm Roughing-in

Zero Rim Design



WC1018/1016 Product Highlights:

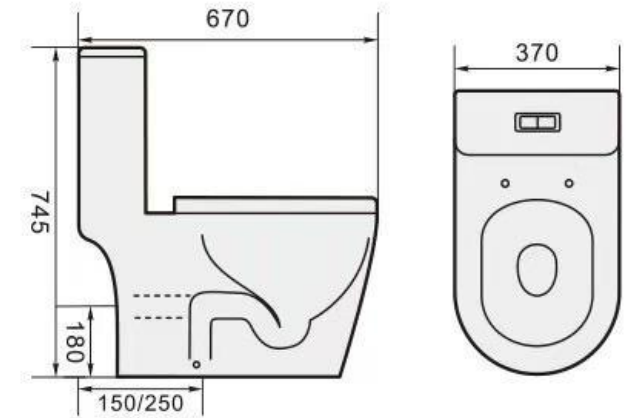
- Rim free design reduces dirt and bacteria buildup
- Powerful yet quiet flushing performance
- Compatible with smart toilet seat installation
- Optional bidet toilet seat cover upgrade for enhanced comfort and hygiene.

Where Convenience Meets Design

Model: WC-1016

Turbo Tornado One-Piece Toilet
 Size: 670 x 370 x 745 mm
 S-Trap Rough-in: 150 / 250 mm
 P-Trap Rough-in: 180 mm

Zero Rim Design



Model: WC-1016



Smart Bidet for Elevated Living



Functional Overview



**DUAL-FLUSH
ECO SYSTEM**

Dual-Flush Eco System

The dual-flush system allows you to choose between full or half flush, effectively reducing water usage for optimal efficiency.



**ANTI-BACTERIAL
SEAT & COVER**

Urea Seat Cover

The antibacterial seat and cover inhibit bacterial growth, ensuring long-lasting hygiene and a cleaner bathroom experience.



COMFORT

Comfort

Air-In Wonder Wave, Air-infused water provides a gentler, more comfortable washing experience.



EFFICIENT

Efficient

Tornado Flush, Powerful, quiet, and water-saving cyclone flushing for superior cleaning with less water.



ANTIBACTERIAL

Antibacterial

Antibacterial nano coating at the inner WC Bowl

EZYFLIK

At EZYFLIK, every bathroom moment is designed to feel better. We create a space that is cleaner, quieter, and effortlessly comfortable, where function meets peace of mind. From advanced hygiene care to intelligent water saving performance, every detail is precisely engineered to work beautifully and reliably. Because the things used every day should simply feel right, dependable, refined, and made to last.



Mix & Match Mirror Cabinet

Mix & Match Mirror Cabinet

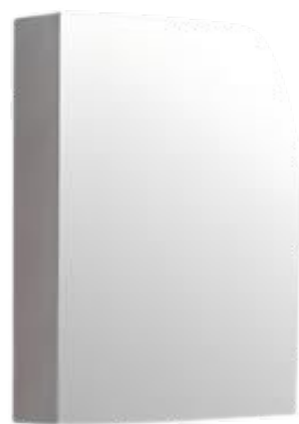
This collection offers spacious hidden storage, easy-to-clean surfaces, and multiple finish options to match your bathroom design.

Perfect for keeping daily essentials organized while adding a touch of modern sophistication to your space.

Material: Virgin PVC Foam Board

Product Size : 500 × 140 × 700 mm

Packaging Size : 560 × 190 × 760 mm



Sand Beige
Model: EMC5070SB
Warm soft beige tone with a clean modern look.



Natural Oak
Model: EMC5070N0
Light natural woodgrain, suitable for Japanese & Scandinavian interiors.



Weathered Grey
Model: EMC5070WG
Textured grey woodgrain with a contemporary feel.



Marble White
Model: EMC5070MW
Bright white finish with subtle marble pattern.



Black Charcoal
Model: EMC5070BC
Deep matte black for a minimalist high-end style.



MUJI
Model: EMC5070MUJI
Light natural woodgrain, suitable for Japanese & Scandinavian interiors.



Industrial Grey
Model: EMC5070IG
Muted matte grey for industrial modern interiors.



Black Forest
Model: EMC5070BF
Rich dark brown wood with deep grain texture.

Light colours enhance space, darker tones add depth and character.



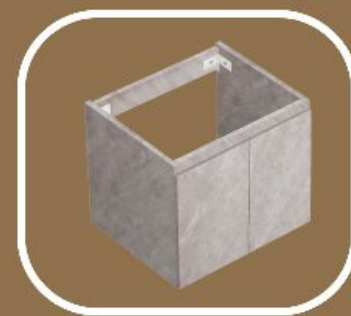
WHICH VANITY STYLE SUITS YOUR BATHROOM BETTER?

PVC COLOURED LAMINATE

WARM & NATURAL LIVING

WARM • COZY • TIMELESS • EASY MATCH

SOFT TONES AND WOOD TEXTURES CREATE A CALMING BATHROOM THAT FEELS WELCOMING AND TIMELESS.



MODEL: EBC6045/7545SB
COLOR: SAND BEIGE



MODEL: EBC6045/7545NO
COLOR: NATURAL OAK



MODEL: EBC6045/7545MUJI
COLOR: MUJI



MODEL: EBC6045/7545BF
COLOR: BLACK FOREST

MODERN URBAN LOOK

MODERN • CLEAN • MINIMAL • URBAN

CLEAN LINES AND BOLD FINISHES BRING A REFINED, CONTEMPORARY FEEL TO MODERN BATHROOMS.



MODEL: EBC6045/7545WG
COLOR: WEATHERED GREY



MODEL: EBC6045/7545MW
COLOR: MARBLE WHITE



MODEL: EBC6045/7545BC
COLOR: BLACK CHARCOAL



MODEL: EBC6045/7545IG
COLOR: INDUSTRIAL GREY

SOFT CONTEMPORARY

SOFT • BALANCED • CONTEMPORARY • CALM

GENTLE TONES AND BALANCED PROPORTIONS CREATE A CALM, CONTEMPORARY VANITY IDEAL FOR MODERN COMPACT SPACES.



MODEL: EDV6045SB
COLOR: SAND BEIGE



MODEL: EDV6045MUJI
COLOR: MUJI

Choose the bathroom style that reflects your space and your lifestyle.

**Warm
Minimalist
Style**

**Modern
Urban
Style**

**Soft
Contemporary
Style**



Calm · Cozy · Natural · Timeless

Bold · Clean · Hotel-style · Contemporary

Bright · Clean · Spacious · Everyday modern

Model: EBC6047KH
Material: PVC
Color: Khaki

Model: EBC6047DG
Material: PVC
Color: Dark Grey

Model: EBC6047LG
Material: PVC
Color: Light Grey

PVC BATHROOM

Choose Your Favourite Bathroom Style with PVC!

From warm minimalist to modern urban and soft contemporary, PVC bathroom cabinets offer design flexibility without compromising durability.

Water-resistant, low maintenance, and built for humid environments, PVC is the smart choice for modern bathrooms.

Your space. Your mood. Your style.

PVC BATHROOM COLLECTION

Elevate EverydayLiving

PVC Fluted Range



Model:EBC6048FCBP
Color: Fluted Cherry Blossom Pink



Model:EBC6048FCMB
Color: Fluted Cloud Mist Blue

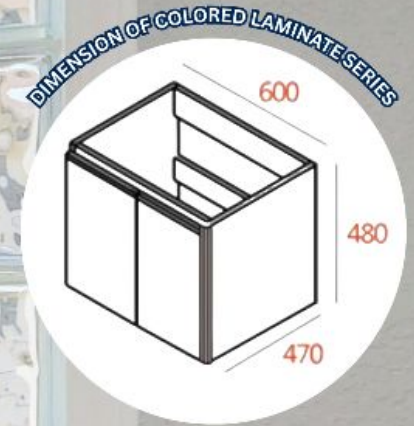


Model:EBC6048FWB
Color: Fluted Wheat Beige



Model:EBC6048FMG
Color: Fluted Mist Grey

PVC Coloured Laminate



Model:EBC6048SBR
Color: Sand Beige

Model:EBC6048IGR
Color: Industrial Grey



Art Basin

ESFERA Art Basin Series

Crafted with high-temperature ceramic technology, the collection features modern lines and a clean, minimalist texture that complements a wide range of bathroom styles. Whether in matte marble or glossy white glaze, each piece delivers a refined and elegant bathroom experience.



Art Basin



Ceramic Art Basin - 50cm

Model: EAB5035MMW

Dimension:
L500 x W350 x H130 (+/- 5mm)
Color: Matt Marble White

Features:

- Wider and more spacious design for comfortable use
- Suitable for larger bathroom spaces
- Matt marble white surface – refined, elegant, and easy to maintain
- Sleek geometry complements premium cabinet design



Ceramic Art Basin - 40cm

Model: EABG001W

Dimension:
L405 x W405 x H130 (+/- 5mm)
Color: Glossy WHITE

Features:

- Minimalist round countertop design
- Glossy glaze surface – scratch-resistant and stain-resistant
- Compact size suitable for apartments or guest bathrooms
- Even craftsmanship with a smooth, polished finish

Inserted Basin



Ceramic Inserted Basin - 60cm

Model: EIBTYPE 1

Glossy White
Dimension: L605 x W465 x H20-250 (+/- 5mm)

Features:

- Ultra-thin front rim for a sleek and modern look
- Deep bowl design to minimize splashing
- Glossy glaze surface – stain-resistant and easy to clean
- Perfect cabinet integration to reduce dirt accumulation

Ceramic Inserted Basin – 60/75cm

Model: EIBTYPE 3/ 375

Glossy White
Dimension: L605 x W465 x H80-195 (+/- 5mm)
: L755 x W465 x H80-195 (+/- 5mm)

Features:

- Medium-depth basin for practical daily use
- Smooth ceramic surface with strong scratch resistance
- Ideal for high-frequency family bathrooms
- Clean rectangular lines enhance modern aesthetics

Ceramic Inserted Basin - 60cm

Model: EIBTYPE 3R

Glossy White
Dimension: L605 x W465 x H80-195 (+/- 5mm)

Features:

- Medium-depth basin for practical daily use
- Smooth ceramic surface with strong scratch resistance
- Ideal for high-frequency family bathrooms
- Clean rectangular lines enhance modern aesthetics



Inserted Basin Series

Designed for seamless integration, the Inserted Basin collection combines clean lines, durable ceramic, and a refined glossy finish.

Perfectly suited for modern bathrooms seeking both practicality and understated elegance.





ESFERA Table Top

Crafted with high-density sintered stone, the ESFERA tabletop delivers the perfect balance of elegant aesthetics and exceptional durability, designed for modern spaces that demand both beauty and performance.



Table Top



Model: ESS WHITE

Material: Sintered stone (Matt)

Colour: White

Size: 600/750 X 460 X 11mm

Features:

- Highly Scratch-Resistant
- Non-porous & Stain-Resistant
- Heat & UV Resistant
- Natural Stone Texture
- Hygienic Surface
- Long-Lasting Durability



Model: ESS MARBLE WHITE

Material: Sintered stone (Matt)

Colour: Marble White

Size: 600/750 X 460 X 11mm

Features:

- Highly Scratch-Resistant
- Non-porous & Stain-Resistant
- Heat & UV Resistant
- Natural Stone Texture
- Hygienic Surface
- Long-Lasting Durability



Model: ESS BLACK

Material: Sintered stone (Matt)

Colour: Marble White

Size: 600/750 X 460 X 11mm

Features:

- Highly Scratch-Resistant
- Non-porous & Stain-Resistant
- Heat & UV Resistant
- Natural Stone Texture
- Hygienic Surface
- Long-Lasting Durability

Sintered Stone Fashion



Model: ETT6045MMW
 Material: Mat Marble White (Matt)
 Colour: Marble White
 Size: 600mmx460mmx140mm

Model: EBT6045MMW
 Material: Mat Marble White (Matt)
 Colour: Marble White
 Size: 600mmx460mmx100mm



Model: EUMB6045MMW
 Material: Mat Marble White (Matt)
 Colour: Marble White
 Size: 600mmx460mmx140mm

Model: EBT6045MMW
 Material: Mat Marble White (Matt)
 Colour: Marble White
 Size: 600mmx460mmx100mm



Model: ETT6045GGMW
 Material: Glossy Goldline Marble White
 Colour: Marble White
 Size: 600mmx460mmx140mm

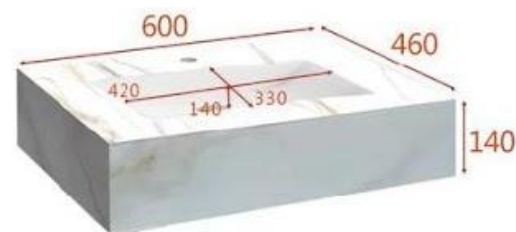
Model: EBT6045GGMW
 Material: Glossy Goldline Marble
 White Colour: Marble White
 Size: 600mmx460mmx100mm



Model: EUMB6045GGMW
 Material: Glossy Goldline Marble White
 Colour: Marble White
 Size: 600mmx460mmx140mm

Model: EBT6045GGMW
 Material: Glossy Goldline Marble White
 Colour: Marble White
 Size: 600mmx460mmx140mm

Dimension:



Our Customization Process

1. Confirm design, colors and size
2. ESFERA to provide quotation and drawing (1-3 working days)
3. Customer to acknowledged the quotation
4. Customer to made payment
5. Arrival of custom-made(3-5weeks)

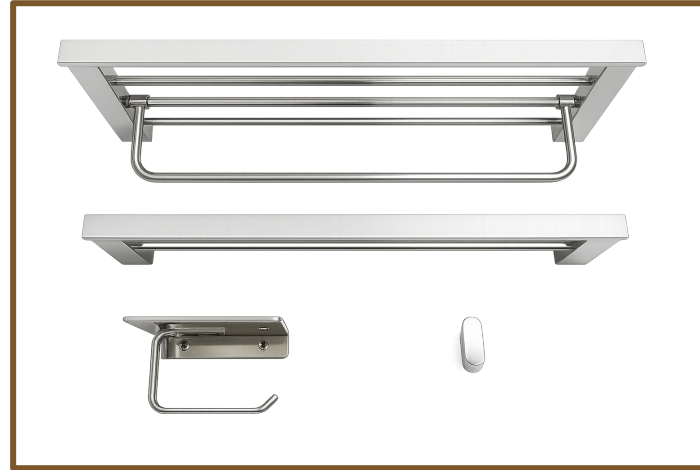


ESFERA Sintered Stone Fashion

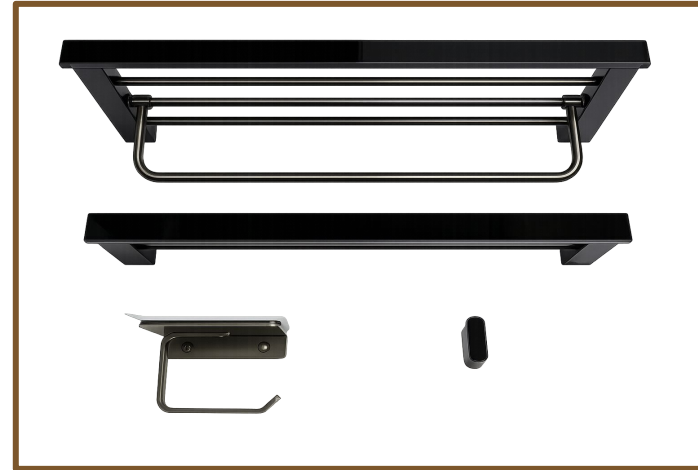
ESFERA Sintered Stone Fashion Series is crafted for modern homes that value both aesthetics and durability.



Accessories


Model: ETR1610C

ESFERA Double Towel Rack
Material: Chrome
Dimension: L610 x W125 x H30


Model: ETR1610GM

Esfera Double Towel Rack
Material: Gun Metal
Dimension: L610 x W125 x H30

Model: ETR4610C

ESFERA Multi Towel Rack
Material: Chrome
Dimension: L610 x W215 x H120

Model: ETR4610GM

ESFERA Multiple Towel Rack
Material: Gun Metal
Dimension: L610 x W215 x H120

Model: EPH160C

ESFERA Paper Holder w/ Top
Material: Chrome
Dimension: L160 x W100 x H95

Model: EPH160GM

ESFERA Paper Holder w/ Top
Material: Gun Metal
Dimension: L160 x W100 x H95

Model: EH1001C

ESFERA Single Hanger
Material: Chrome
Dimension: L20 x W20 x H45

Model: EH1001GM

ESFERA Single Hanger
Material: Gun Metal
Dimension: L20 x W20 x H45

ESFERA Accessories

ESFERA Accessories are designed with modern simplicity and everyday usability in mind.

Clean lines, durable materials, and refined finishes create a balanced look that elevates any bathroom space. Practical, minimal, and built to last – ESFERA brings a calm, modern touch to daily living.

